

CONSTRUCTION:

Bright-polished chrome-plated steel. Theft-resistant locking device.

CAPACITY:

Holds two standard core toilet tissue rolls up to 5" (127mm) diameter.

OVERALL DIMENSIONS:

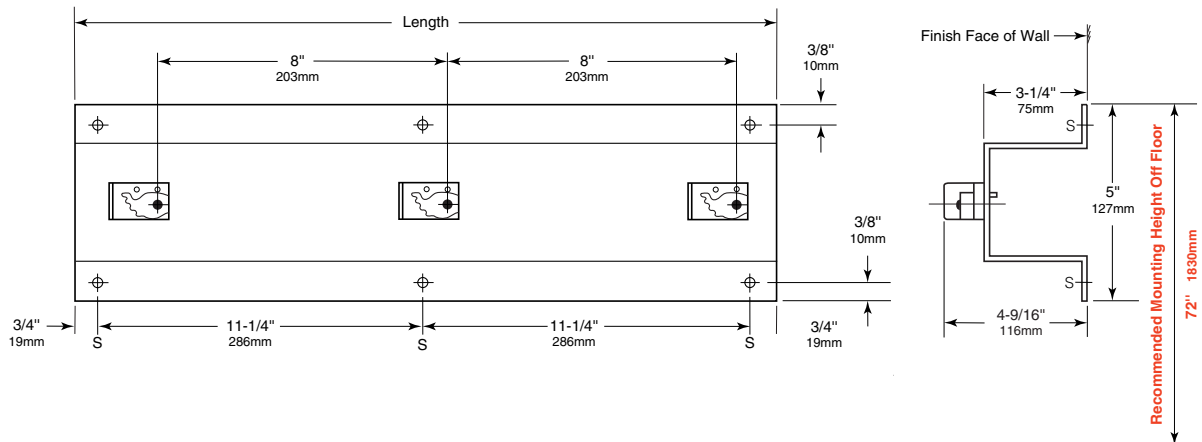
12-3/8" W x 2-3/4" H x 4-1/4" D (314 x 70 x 108mm)

ADA GUIDE:

Toilet tissue rolls should be mounted with forward edge no more than 36" (914mm) from the back wall of stall. All toilet tissue dispensers should be mounted with their horizontal center-line at least 19" (483mm) above the finish floor.

Surface-Mounted Toilet Tissue Holder Double Roll shall be Model 23 of Gamco Commercial Restroom Accessories, One Gamco Place, Durant, OK, 74701-1910

MS-1 for mop strip, 24" (610mm), 3 holders
MS-2 for mop strip, 36" (914mm), 4 holders



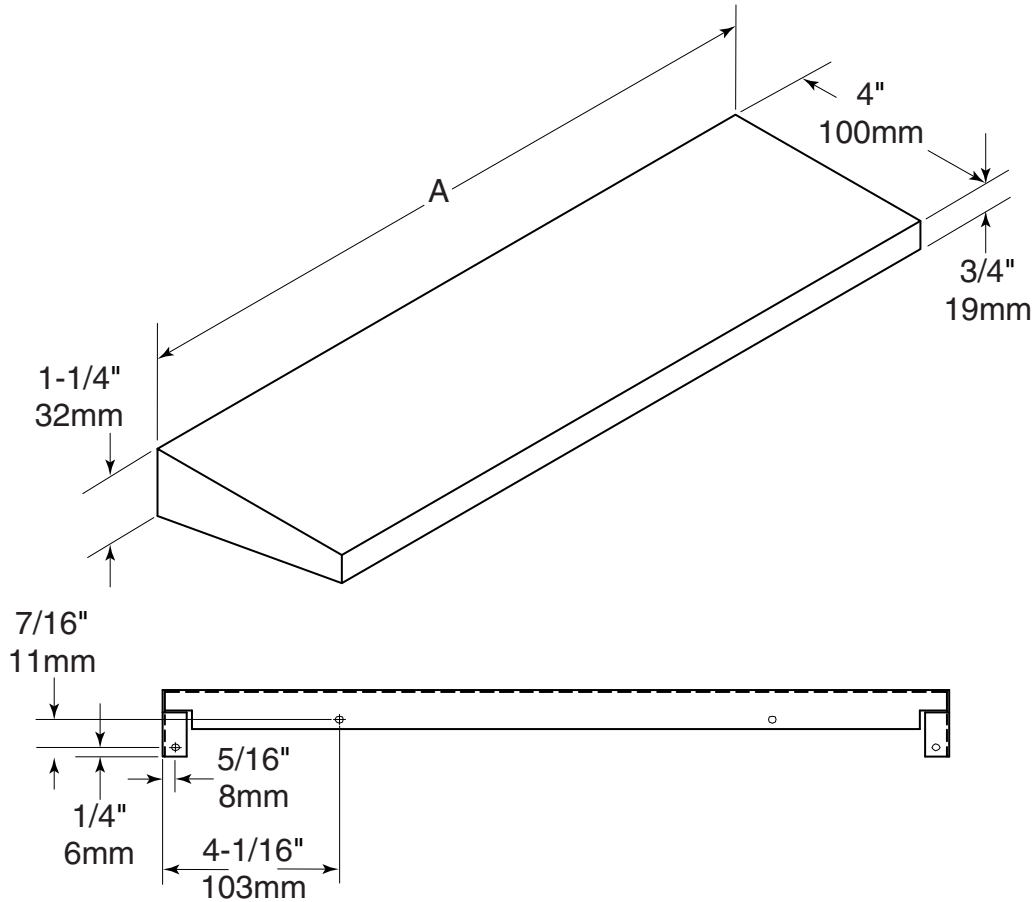
SPECIFICATIONS:

Units fabricated of 18-gauge (1.2mm) type 304 stainless steel with exposed surfaces having a satin-finish. Mop holder molded with serrated rubber cam holders and spring loaded to insure maximum gripping ability. Holders accommodate mops and brooms from 3/4" to 1-1/4" (19 to 32mm) in diameter. Large 3-1/4" (83mm) projection keeps mops away from wall.

OVERALL DIMENSIONS:

24" W x 5" H x 3-1/4" D (607 x 127 x 83mm)

Mop Strip shall be Model _____ (insert model number) of Gamco Commercial Restroom Accessories, One Gamco Place, Durant, OK, 74701-1910



STANDARD SIZES

Model No.	Length - A	Width	Height
MS-18	18" 457mm	4" 100mm	1-1/4" 32mm
MS-24	24" 610mm	4" 100mm	1-1/4" 32mm

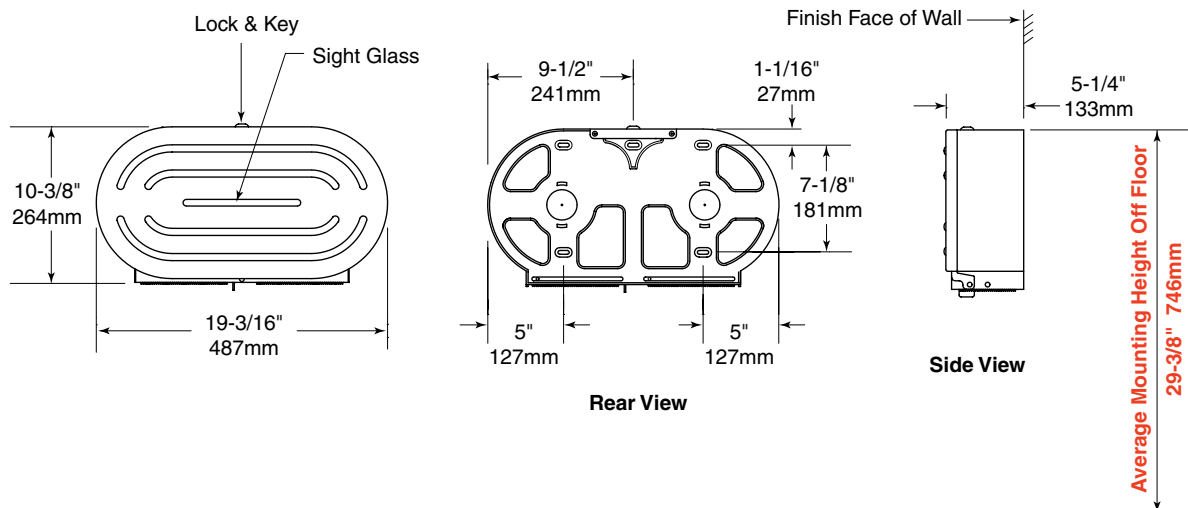
MATERIALS:

Shelf - 18-8, type 304, 18-gauge (1.2mm) stainless steel with satin finish, 3/4" (19mm) return edge on front. Front corners of shelf ground and polished smooth. Once mounted properly, mirror shelf meets accessible design, protrudes 4" (100mm) from the wall.

Designer Note:

1. Special-order sizes, up to 60" (1525mm) are available on request.
2. Shelves over 36" (914mm) long will be supplied with a center support.

Surface-Mounted Stainless Steel Mirror Shelf shall be _____ (insert model number) of Gamco Commercial Restroom Accessories, One Gamco Place, Durant, OK, 74701-1910



CONSTRUCTION:

Door and wrapper are 20-gauge (0.89mm) type 304 stainless steel with a #4 satin-finish. Internal spindles and shell are HEAVY GAUGE gray plastic. Sliding panel exposes one roll at a time and allows for easy roll changeover. Door equipped with sight-glass for viewing expense of each roll of tissue.

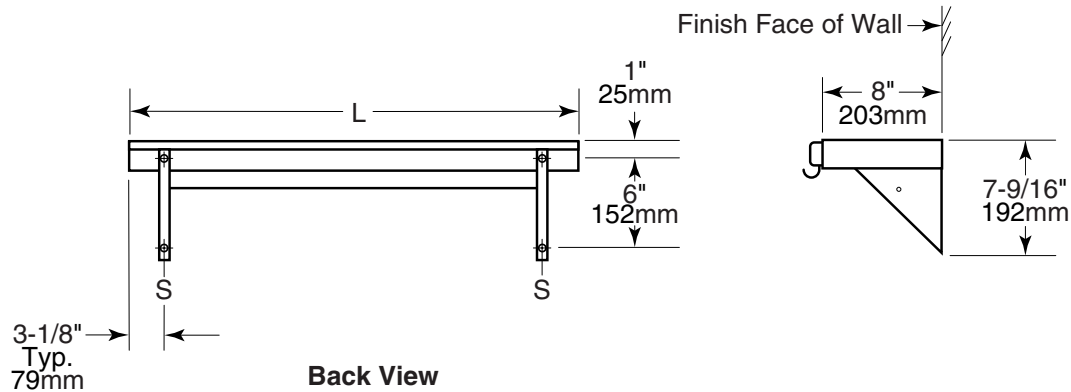
CAPACITY:

Two 9" (289mm) roll-type toilet tissue. Spindles accommodate 3-1/4" (83mm), 3" (76mm), and 2-1/4" (57mm) core rolls. Core adapters are included.

INSTALLATION:

Verify all rough-in dimensions prior to installation. Secure to wall or toilet partition with screws through mounting holes.

Jumbo-Roll Toilet Tissue Dispenser shall be Model TTD-11 of Gamco Commercial Restroom Accessories, One Gamco Place, Durant, OK, 74701-1910



STANDARD STOCK SIZES

Model No.	Length	No. of Holders	No. of Rag Hooks	Width	Height
US-1	30" 762mm	3	2	8" 203mm	7-1/2" 191mm
US-2	36" 914mm	4	3	8" 203mm	7-1/2" 191mm

MATERIALS:

Shelf — 18-8, type 304, 18-gauge (1.2mm) stainless steel with satin-finish. Shelf has 1-1/2" (38mm) return edge for maximum rigidity.

Mounting Brackets — 18-8, type 304, 16-gauge (1.6mm) stainless steel with satin-finish; welded to shelf.

Mop/Broom Holders — Spring-loaded rubber cams with anti-slip coating.

Rag Hooks — 18-8, type 304, 16-gauge (1.6mm) stainless steel with satin-finish; secured to shelf with rivets.

Towel Rod — 18-8, type 304, 1/4" (6mm) diameter stainless steel with satin-finish.

OPERATION:

Surface-mounted utility shelf with holders is designed to keep mops and brooms away from wall. Spring-loaded rubber cam holders accommodate mop or broom handles from 7/8" to 1-1/4" (22 to 32mm) diameter. Hooks for conveniently storing rags are located on front of shelf. Rod for hanging wet rags is located below shelf between mounting brackets.

INSTALLATION:

Secure unit to wall with four sheet-metal screws, furnished by manufacturer, at points indicated by an S. For plaster or dry wall construction, provide concealed backing to comply with local building codes, then secure unit with sheet-metal screws furnished. For other wall surfaces, provide fiber plugs or expansion shields for use with sheet-metal screws furnished, or provide 1/8" (3mm) toggle bolts or expansion bolts.

SPECIFICATIONS:

Surface-mounted utility shelf with mop/broom holders and rag hooks shall be type 304 stainless steel with satin-finish. Shelf shall be 18-gauge (1.2mm) with 1-1/2" (38mm) return edge. Mounting brackets, welded to shelf, shall be 16-gauge (1.6mm).

Utility Shelf With Mop/Broom Holders And Rag Hooks shall be Model _____ (insert model number) of Gamco Commercial Restroom Accessories, One Gamco Place, Durant, OK, 74701-1910