

OPTIONS: *Special reflective surfaces, add suffix:*

- T 1/4" tempered glass mirror
 - L 1/4" laminated glass mirror
 - SS 20 gauge 430 bright anneal stainless steel
- Custom sizes available

**SNAP LOCKING DESIGN
(Rear View)**

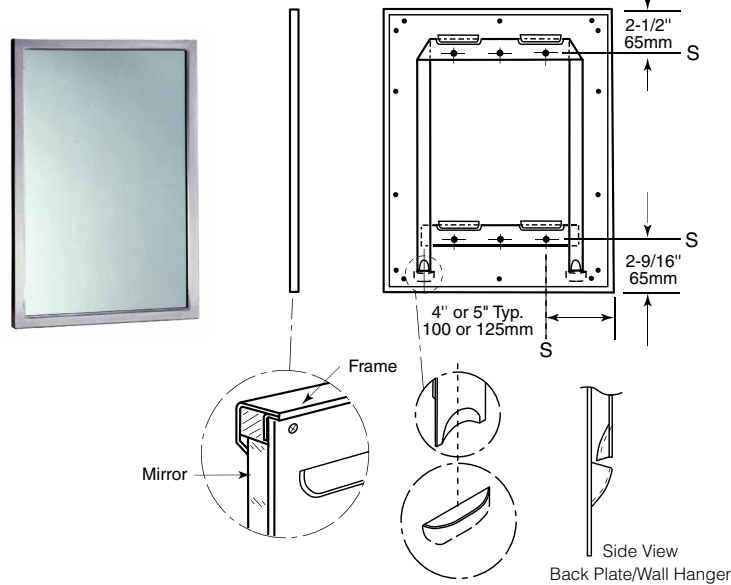


Figure: 1

**LOCK TAB DESIGN
(Rear View)**

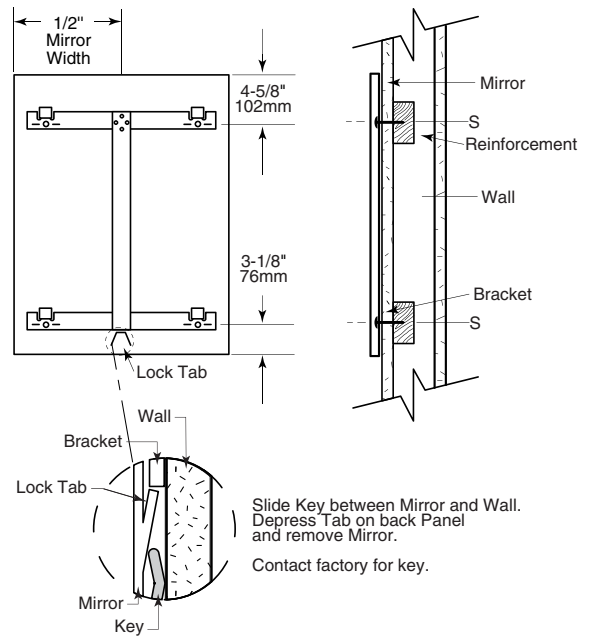


Figure: 2

STANDARD A-SERIES MIRRORS

MODEL NO.	OVERALL SIZE	
	W	H
A-18 x 30	18" (46cm)	30" (76cm)
A-18 x 36	18" (46cm)	36" (91cm)
A-24 x 36	24" (61cm)	36" (91cm)

ALL OTHER SIZE MIRRORS

Note: Mirrors greater than 30" in width will have multiple hanger bracket pockets with a typical 8" off each edge

CONSTRUCTION:

Frame — Fabricated of heavy-gauge stainless steel, 3/4" x 3/4" (19 x 19mm) for Snap Locking Design; 5/8" x 5/8" (16 x 16mm) for Lock Tab Design angle with # 4 satin finish. One piece, construction. Corners are welded and ground smooth.

Back Panel — Fabricated of galvanized steel with tab lock and slots formed to receive wall hanger tabs. Shock absorbing material is placed between mirror and back panel.

Standard Mirror Glass — #1 quality, 1/4" (6mm) plate/float glass guaranteed against silver spoilage for 15 years. Meets and exceeds federal specifications DD-M-00411B & C. S. 27.

SPECIAL REFLECTIVE SURFACES:

These surfaces resist breakage and provide a measure of safety from broken glass, but differ in color and reflective quality from standard glass mirrors.

continued . . .

INSTALLATION:

Surface-mounted. Mirror installs on concealed wall hanger and locks in place. See wall instructions to locate mirror wall hangers. Secure to wall with 4 #10 x 1-1/2" (38mm) flat head full threaded screws. Hang mirror on wall hanger to lock mirror in place. To remove mirror from wall, see slide key instructions. Mirror is replaceable in field. If key is required, call the factory.

ADA GUIDE:

Access to mirrors should be 40" (1016mm) from bottom edge of reflective surface to the finish floor. Full length mirrors will accommodate all facilities.

Snap Locking Design — Locking devices automatically secure mirror to concealed wall hanger when it is lowered into final position (see figure 3). Locking devices may be unlocked by inserting two flat blade screwdrivers behind each side of mirror near the bottom or under the bottom of the mirror and pulling mirror bottom forward and then up.

Lock Tab Design — Locking devices automatically secure mirror to concealed wall hanger when it is lowered into final position (see figure 4). Locking device may be unlocked by sliding Key between mirror and wall and depressing tab on back panel. If key is required, please contact factory.

SNAP LOCKING DESIGN

(Front View)

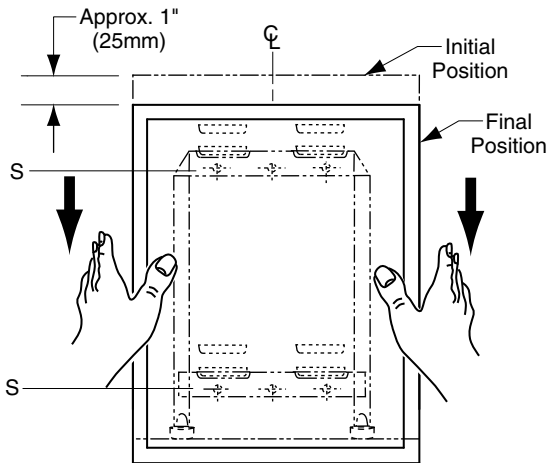


Figure: 3

LOCK TAB DESIGN

(Front View)

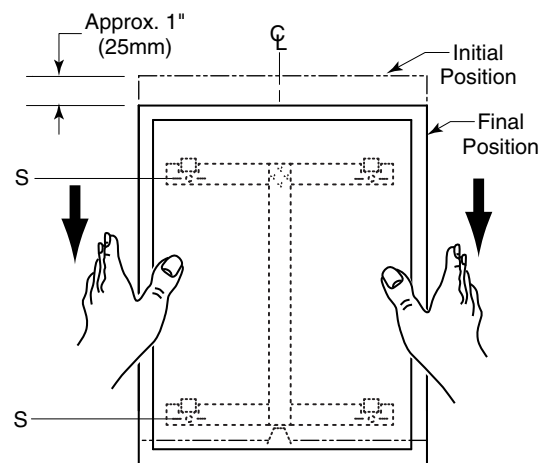


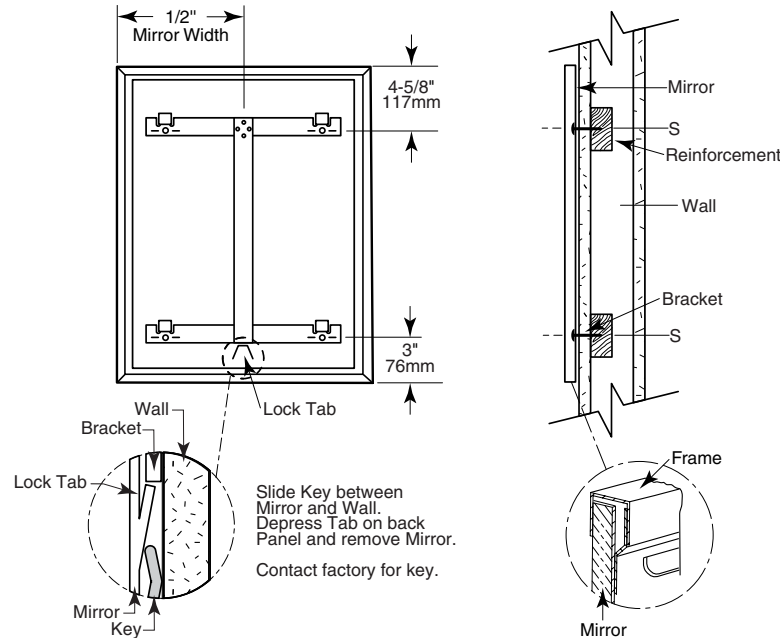
Figure: 4

Welded-Frame Mirror shall be Model _____ A-Series (insert size) of Gamco Commercial Restroom Accessories, One Gamco Place, Durant, OK, 74701-1910

OPTIONS: *Special reflective surfaces, add suffix:*

- T 1/4" tempered glass mirror
 - L 1/4" laminated glass mirror
 - SS 20 gauge 430 bright anneal stainless steel
- Custom sizes available

Note: Mirrors greater than 30" in width will have multiple hanger brackets with a typical 8" off each edge



STANDARD C-SERIES MIRRORS

MODEL NO.	OVERALL SIZE	
	W	H
C-18 x 24	18" (46cm)	24" (61cm)
C-18 x 30	18" (46cm)	30" (76cm)
C-18 x 36	18" (46cm)	36" (91cm)

STANDARD C-SERIES MIRRORS

MODEL NO.	OVERALL SIZE	
	W	H
C-24 x 36	24" (61cm)	36" (91cm)

STANDARD C-SERIES MIRRORS

MODEL NO.	OVERALL SIZE	
	W	H

Note: Mirrors greater than 30" in width will have multiple hanger bracket pockets with a typical 8" off each edge

CONSTRUCTION:

Frame — 430 Bright anneal stainless steel, One piece roll formed angle is 1/2" x 1/2" x 1/2" (13 x 13 x 13mm). Mitered corners.

Back Panel — fabricated of galvanized steel with tab lock and slots formed to receive wall hanger tabs. Shock absorbing material is placed between mirror and back panel.

Standard Mirror Glass — #1 quality, 1/4" (6mm) plate/float glass guaranteed against silver spoilage for 15 years. Meets and exceeds federal specifications DD-M-00411B & C. S. 27.

SPECIAL REFLECTIVE SURFACES:

These surfaces resist breakage and provide a measure of safety from broken glass, but differ in color and reflective quality from standard glass mirrors.

INSTALLATION:

Surface-mounted. Mirror installs on concealed wall hanger and locks in place. See wall instructions to locate mirror wall hangers. Hang mirror on wall hanger to lock mirror in place. To remove mirror from wall, see slide key instructions. Mirror is replaceable in field. If key is required, call the factory.

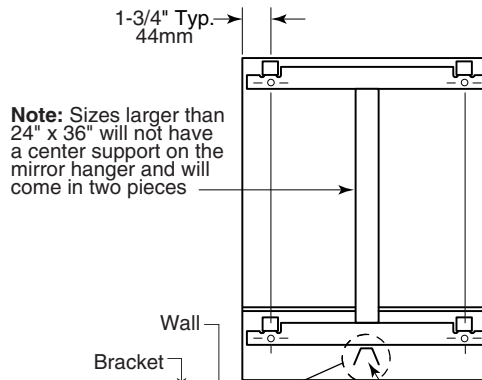
ADA GUIDE:

Access to mirrors should be 40" (1016mm) from bottom edge of reflective surface to the finish floor. Full length mirrors will accommodate all facilities.

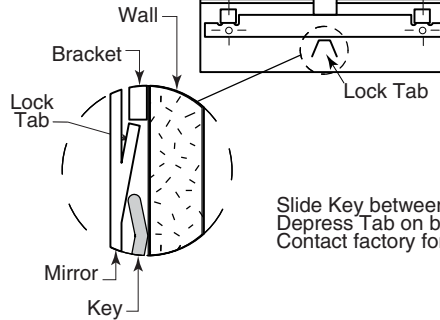
Channel-Frame Mirrors shall be Model _____ C-Series (insert size) of Gamco Commercial Restroom Accessories, One Gamco Place, Durant, OK, 74701-1910

OPTIONS: *Special reflective surfaces, add suffix:*

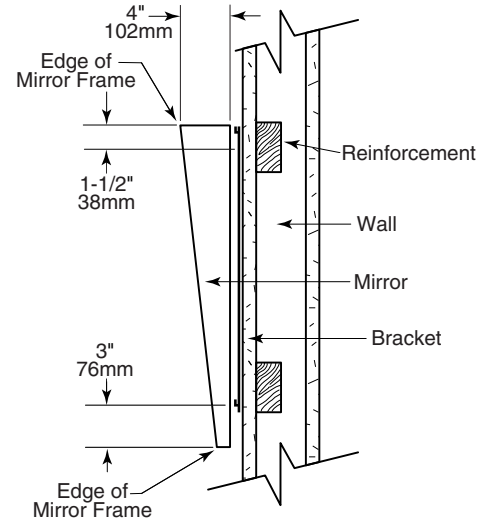
- T 1/4" tempered glass mirror
 - L 1/4" laminated glass mirror
 - SS 20 gauge 430 bright annel stainless steel
- Custom sizes available



Note: Sizes larger than 24" x 36" will not have a center support on the mirror hanger and will come in two pieces



Slide Key between Mirror and Wall.
Depress Tab on back Panel and remove Mirror.
Contact factory for key.



STANDARD FT-SERIES MIRRORS

MODEL NO.	OVERALL SIZE	
	W	H
FT-18 x 30	18" (46cm)	30" (76cm)
FT-18 x 36	18" (46cm)	36" (91cm)
FT-24 x 36	24" (61cm)	36" (91cm)

CONSTRUCTION:

Frame — fabricated of 18-8 type 304 stainless steel with exposed surfaces having a #4 satin-finish. All welded construction; welded-frame, corners are welded and ground smooth.

Back Panel — Shock absorbing material is placed between mirror and back panel.

Standar Mirror Glass — #1 quality, 1/4" (6mm) plate/float glass guaranteed against silver spoilage for 25 years. Meets and exceeds federal specifications DD-M-00411B & C. S. 27.

SPECIAL REFLECTIVE SURFACES:

These surfaces resist breakage and provide a measure of safety from broken glass, but differ in color and reflective quality from standard glass mirrors.

INSTALLATION:

Surface-mounted mirror installs on concealed wall hanger. See wall instructions to locate mirror wall hangers. Secure to wall with 4 #10 x 1-1/2" (38mm) flat head full threaded screws. Hang mirror on wall hanger to lock mirror in place. Mirror is replaceable in field. To remove mirror from wall, see slide key instructions. If key is required, call the factory.

ADA GUIDE:

Access to mirrors should be 40" (1016mm) from bottom edge of reflective surface to the finish floor. Full length mirrors will accommodate all facilities.

Fixed-Position Tilt Mirror shall be Model _____ FT-Series (insert size) of Gamco Commercial Restroom Accessories, One Gamco Place, Durant, OK, 74701-1910