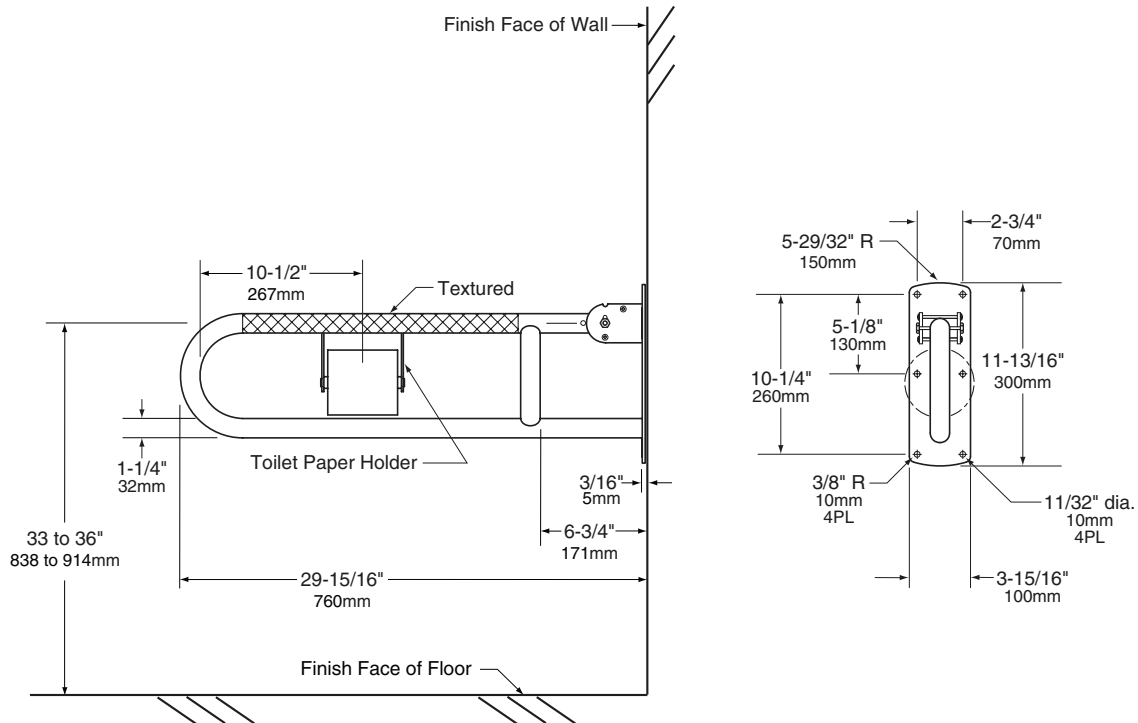


**1 1/4" (32mm) DIAMETER
SWING UP GRAB BAR
WITH INTEGRAL
TOILET PAPER HOLDER**

**125TPH
CONFIGURATION**



CONSTRUCTION:

Tubing - Fabricated of type 304 stainless steel and assembled into a swivel hinge. Exposed surfaces polished to a #4 satin-finish and knurled grip. Detent holds bar in vertical position.

Wall Retaining Clip - Stainless steel.

Back Plate - 3/16" (4.5mm) thick, one piece stainless steel design.

MOUNTING:

Unit absolutely must be secured to in-wall reinforcement backing. Unit is attached with 4 bolts with a minimum 1/4" (6mm) diameter. Mounting bolts not furnished. Screws (not furnished).

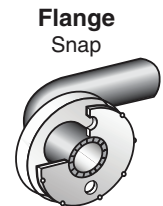
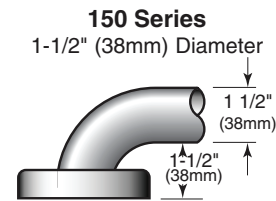
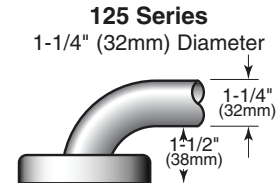
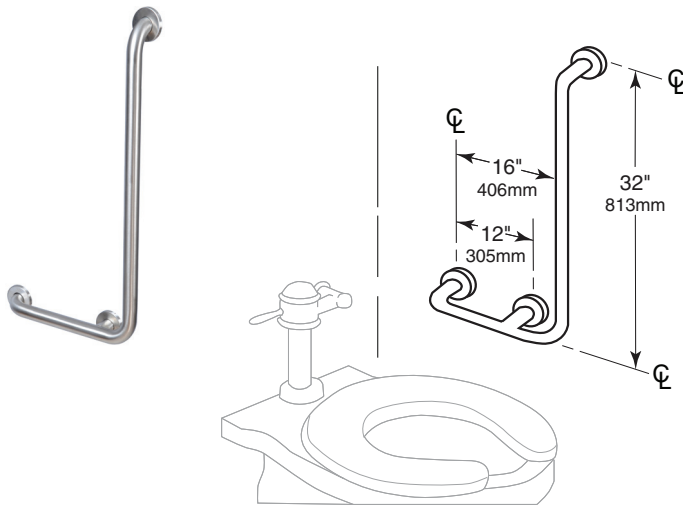
SPECIFICATIONS:

Grab bars have been designed and tested to withstand 500 lbs. downward pull when properly installed. This exceeds HUD, HEW, FHA, VA, and other Federal, State, and local codes, including the Americans with Disabilities Act (ADA).

Swing Up Grab Bar with Integral Toilet Paper Holder shall be Model 125TPH of GAMCO Commercial Restroom Accessories, One Gamco Place, Durant, OK, 74701-1910

OPTIONS:

- T for non-slip safety-textured grip
- Custom sizes available



Right Configuration Shown

CONSTRUCTION:

Tubing - Fabricated of type 304 stainless steel. Exposed surfaces polished to a #4 satin-finish.

Snap Flange - Mounting plate is 11-gauge (3mm) type 304 stainless steel, 3" (76mm) in diameter and welded to bar. Snap flange cover plate escutcheon, which is decorative only, is 22-gauge (0.8mm) type 304 stainless steel. Mounting plates and center posts are welded to tubing.

MOUNTING:

Clearance is distance between finished wall surface and inner edge of tubing. Standard clearance furnished is 1-1/2" (38mm). Required mounting height is 33" to 36" (838 to 914mm) from center-line of grab bar to finish floor. Screws (not furnished).

SPECIFICATIONS:

Grab bars have been designed and tested to withstand 1300 lbs. downward pull when properly installed. This exceeds HUD, HEW, FHA, VA, and other Federal, State, and local codes, including the Americans with Disabilities Act (ADA). Dimensions are measured from center-line to center-line of tubing, unless noted on grab bar application by circle dimensions which are from center-line of tubing to wall.

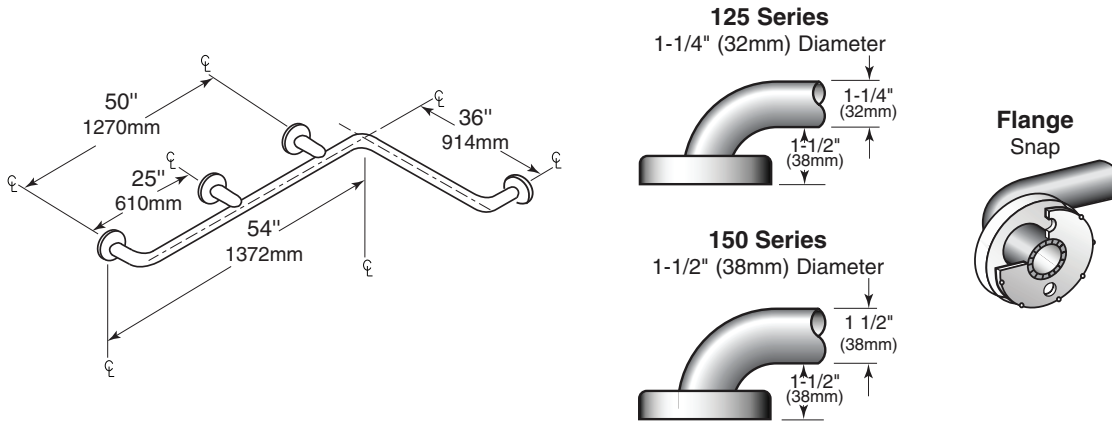
NOTES:

Custom made grab bars are available upon request. Custom made indoor or outdoor railing systems up to 4" (102mm) diameter are also available.

90° Angle Grab Bar shall be Model _____ (insert model number and series) of Gamco Commercial Restroom Accessories, One Gamco Place, Durant, OK, 74701-1910

OPTIONS:

- T for non-slip safety-textured grip
- Custom sizes available



Center post needed on bars over 48" (1219mm).

CONSTRUCTION:

tubing - Fabricated of type 304 stainless steel. Exposed surfaces polished to a #4 satin-finish.

Snap Flange - Mounting plate is 11-gauge (3mm) type 304 stainless steel, 3" (76mm) in diameter and welded to bar. Snap flange cover plate escutcheon, which is decorative only, is 22-gauge (0.8mm) type 304 stainless steel. Mounting plates and center posts are welded to tubing.

MOUNTING:

Clearance is distance between finished wall surface and inner edge of tubing. Standard clearance furnished is 1-1/2" (38mm). Required mounting height is 33" to 36" (838 to 914mm) from center-line of grab bar to finish floor. Screws (not furnished).

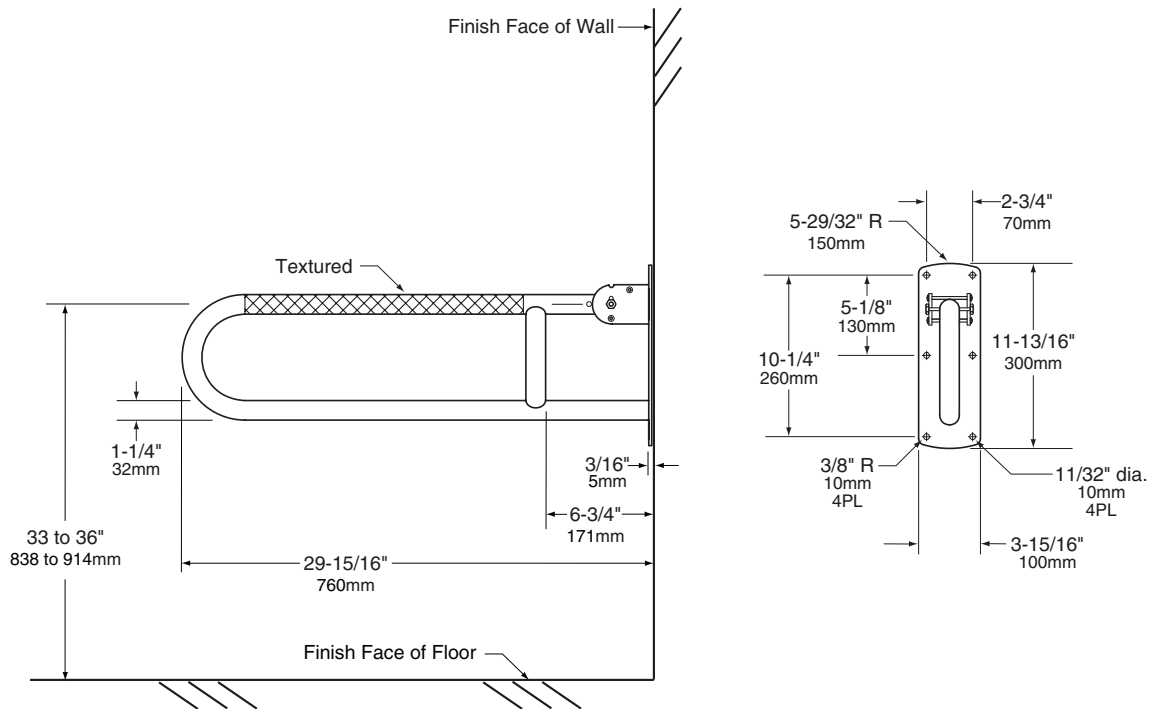
SPECIFICATIONS:

Grab bars have been designed and tested to withstand 1300 lbs. downward pull when properly installed. This exceeds HUD, HEW, FHA, VA, and other Federal, State, and local codes, including the Americans with Disabilities Act (ADA). Dimensions are measured from center-line to center-line of tubing.

NOTES:

Custom made grab bars are available upon request. Custom made indoor or outdoor railing systems in 1-1/4" and 1-1/2" diameters are also available.

Two Way Wheelchair Grab Bar shall be Model -50 (insert series _____) of Gamco Commercial Restroom Accessories, One Gamco Place, Durant, OK, 74701-1910



CONSTRUCTION:

Tube - Fabricated of type 304 stainless steel and assembled into a swivel hinge. Exposed surfaces polished to a #4 satin-finish and knurled grip. Detent holds bar in vertical position.

Back Plate - 3/16" (4.5mm) thick, one piece stainless steel design.

MOUNTING:

Unit absolutely must be secured to in-wall reinforcement backing. Unit is attached with (4) bolts with a minimum 1/4" (6mm) diameter. Mounting bolts not furnished. Screws (not furnished).

SPECIFICATIONS:

Grab bars have been designed and tested to withstand 500 lbs. downward pull when properly installed. This exceeds HUD, HEW, FHA, VA, and other Federal, State, and local codes, including the Americans with Disabilities Act (ADA).

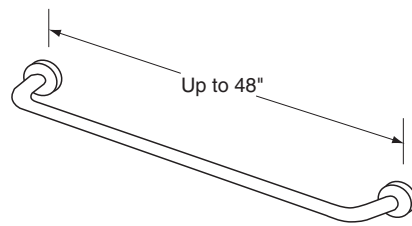
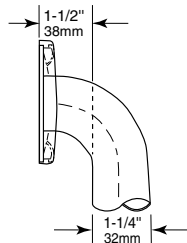
Swing Up Grab Bar shall be Model 125 of GAMCO Commercial Restroom Accessories, One Gamco Place, Durant, OK, 74701-1910

OPTIONS:

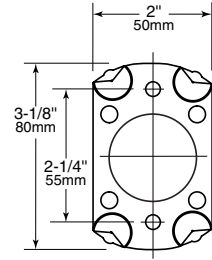
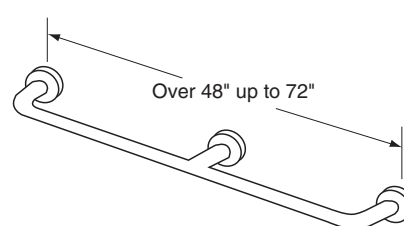
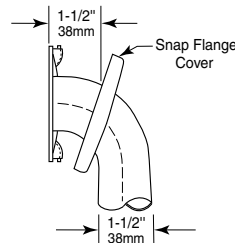
- C for concealed flange
 - S for snap flange
 - E for exposed flange
 - T for non-slip safety-textured grip
- Custom sizes available



125 Series
1-1/4" (32mm) Diameter
Available Flanges:
E = exposed, S = snap



150 Series
1-1/2" (38mm) Diameter
Available Flanges:
C = concealed, E = exposed, S = snap



Snap Flange

NOTE: Grab Bars over 48" in length require a centerpost.

MATERIALS:

Tubing - Fabricated of type 304 stainless steel. Exposed surfaces polished to a #4 satin-finish.

Concealed Flange - 1/2" (13mm) deep, type 304 stainless steel, 3" (76mm) in diameter furnished with 3 stainless steel set screws and one back plate. Flanges and center posts are welded to tubing.

Snap Flange - Mounting plate is type 304 stainless steel, 3" (76mm) in diameter and welded to bar. Snap flange cover plate escutcheon, which is decorative only, is type 304 stainless Steel. Mounting plates and center posts are welded to tubing.

Exposed Flange - Type 304 stainless steel, 3" (76mm) in diameter with 3 countersunk mounting holes. Flanges and center posts are welded to tubing.

MOUNTING:

Clearance is distance between finished wall surface and inner edge of tubing. Standard clearance furnished is 1-1/2" (38mm). Required mounting height is 33" to 36" (838 to 914mm) from top of grab bar gripping surface to finish floor. 36" (914mm) horizontal grab bar should be installed on back wall and 42" (1067mm) horizontal grab bar installed on side wall or partition stall. Screws (not furnished).

Safety Warning: Grab bars are no stronger than the anchors and walls to which they are attached and, therefore, must be firmly secured in order to support the loads for which they are intended.

To avoid potential injury, the building owner or maintenance personnel should remove the grab bar from service if the grab bar is not adequately secured to wall or if there is any observed damage to the weld.

SPECIFICATIONS:

Grab bars have been designed and tested to withstand a downward pull when properly installed that exceeds HUD, HEW, FHA, VA, and other Federal, State, and local codes, including the Americans with Disabilities Act (ADA). Dimensions are measured from center-line to center-line of tubing, unless noted on grab bar application by circle dimensions which are from center-line of tubing to wall.

NOTES:

Custom made grab bars are available upon request. Custom made indoor or outdoor railing systems up to 1-1/4" to 1-1/2" (32 to 38mm) diameter are also available.

Straight Grab Bar shall be Model _____ (insert model number) of GAMCO Commercial Restroom Accessories, One Gamco Place, Durant, OK, 74701-1910