

**CONSTRUCTION:**

Bright-polished chrome-plated steel. Theft-resistant locking device.

**CAPACITY:**

Holds two standard core toilet tissue rolls up to 5" (127mm) diameter.

**OVERALL DIMENSIONS:**

12-3/8" W x 2-3/4" H x 4-1/4" D (314 x 70 x 108mm)

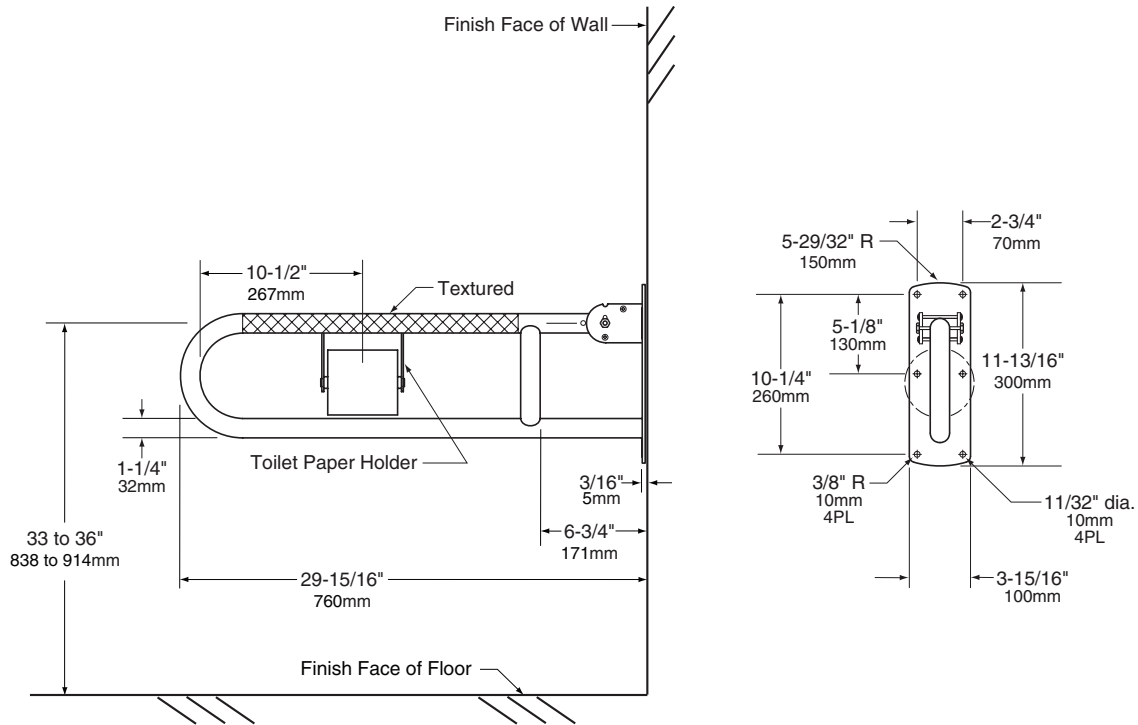
**ADA GUIDE:**

Toilet tissue rolls should be mounted with forward edge no more than 36" (914mm) from the back wall of stall. All toilet tissue dispensers should be mounted with their horizontal center-line at least 19" (483mm) above the finish floor.

**Surface-Mounted Toilet Tissue Holder Double Roll shall be Model 23 of Gamco Commercial Restroom Accessories, One Gamco Place, Durant, OK, 74701-1910**

**1 1/4" (32mm) DIAMETER  
SWING UP GRAB BAR  
WITH INTEGRAL  
TOILET PAPER HOLDER**

**125TPH  
CONFIGURATION**



**CONSTRUCTION:**

**Tubing** - Fabricated of type 304 stainless steel and assembled into a swivel hinge. Exposed surfaces polished to a #4 satin-finish and knurled grip. Detent holds bar in vertical position.

**Wall Retaining Clip** - Stainless steel.

**Back Plate** - 3/16" (4.5mm) thick, one piece stainless steel design.

**MOUNTING:**

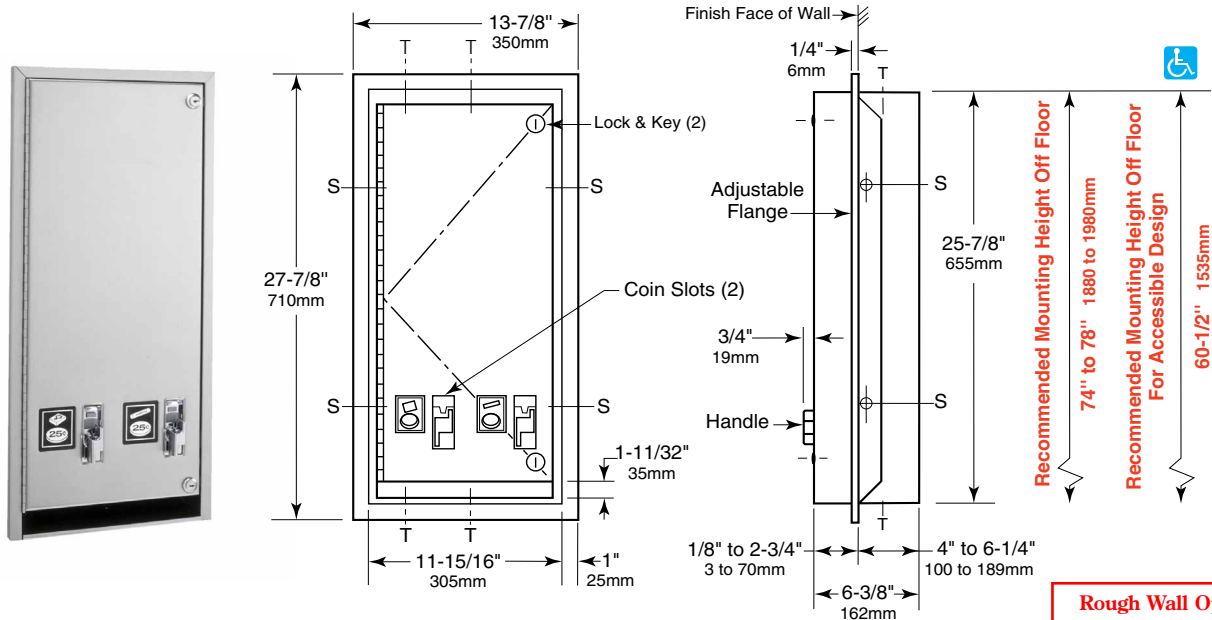
Unit absolutely must be secured to in-wall reinforcement backing. Unit is attached with 4 bolts with a minimum 1/4" (6mm) diameter. Mounting bolts not furnished. Screws (not furnished).

**SPECIFICATIONS:**

Grab bars have been designed and tested to withstand 500 lbs. downward pull when properly installed. This exceeds HUD, HEW, FHA, VA, and other Federal, State, and local codes, including the Americans with Disabilities Act (ADA).

**Swing Up Grab Bar with Integral Toilet Paper Holder shall be Model 125TPH of GAMCO Commercial Restroom Accessories, One Gamco Place, Durant, OK, 74701-1910**





**Rough Wall Opening**  
12-1/2" (320mm) wide  
26-3/8" (670mm) high  
2-3/4" to 6-3/8"  
(70 to 162mm) minimum  
recessed depth

**MATERIALS:**

**Cabinet** — 18-8, type-304, 22-gauge (0.8mm) stainless steel. All-welded construction.

**Flange** — 18-8, type-304, 22-gauge (0.8mm) stainless steel with satin finish. One-piece, seamless construction with 1/4" (6mm) return for rigidity. Adjustable escutcheon-type flange permits semi- or fully-recessed installation.

**Door** — 18-8, type-304, 18-gauge (1.2mm) stainless steel with satin finish. Secured to cabinet with a full-length stainless steel piano-hinge. Equipped with two tumbler locks keyed like other Gamco restroom accessories. Door has no brand-name advertising for products dispensed. International graphic symbols identify products dispensed and coin denomination.

**Coin Mechanisms (2)** — Single-coin mechanisms for 25¢ operation. Each coin box is equipped with a tumbler lock and opens with different key than furnished for door. Coin mechanisms do not require lubrication. All moving parts are replaceable without removing cabinet from wall.

**OPERATION:**

After coin is inserted in dispensing mechanism of patron's choice, turning appropriate handle dispenses boxed sanitary napkin or tampon tube. Coin slot of each dispensing mechanism is identified by an international graphic symbol. Capacity: 30 sanitary napkins and 27 tampons. Coin slots are blocked when supply is depleted. Vendor dispenses sanitary napkin packages measuring 3" x 1" x 4-1/4" (75 x 25 x 110mm) and tampon packages measuring 5-1/8" long x 11/16" diameter (130 x 17mm).

**INSTALLATION:**

Provide framed rough wall opening 12-1/2" wide x 26-3/8" high (320 x 670mm). Minimum recessed depth required to finish face of wall for fully recessing the unit is 6-3/8" (162mm). Allow clearance for construction features that may protrude into opening from opposite wall. Coordinate with mechanical engineer to avoid pipes, vents, and conduits. If unit projects above top of wainscot, provide aluminum channel or other filler to eliminate gap between flange and finish face of wall. Mount flange in rough wall depth with four sheet-metal screws, furnished by manufacturer, at points indicated by an S. Insert cabinet into flange to wall depth available, then secure unit with four sheet-metal screws, furnished by manufacturer, at points indicated by a T.

**SPECIFICATION:**

Recessed napkin/tampon vendor shall combine two dispensing mechanisms in one cabinet to provide sanitary napkins or tampons at user's option. Unit shall be type-304 stainless steel with all-welded construction; exposed surfaces shall have satin finish. Door shall be 18 gauge (1.2mm), secured to cabinet with a full-length stainless steel piano-hinge, and equipped with two tumbler locks keyed like other Gamco restroom accessories. Each coin box shall be equipped with a tumbler lock that is keyed differently than door locks. Vendor shall be equipped with 25¢ coin mechanisms and shall carry no brand-name advertising.

**Recessed/Semi-Recessed Napkin-Tampon Vendor shall be model Model 352 25 of Gamco Commercial Restroom Accessories, One Gamco Place, Durant, OK, 74701-1910**

**OPTIONS:** *Special reflective surfaces, add suffix:*

- T 1/4" tempered glass mirror
  - L 1/4" laminated glass mirror
  - SS 20 gauge 430 bright anneal stainless steel
- Custom sizes available

**SNAP LOCKING DESIGN  
(Rear View)**

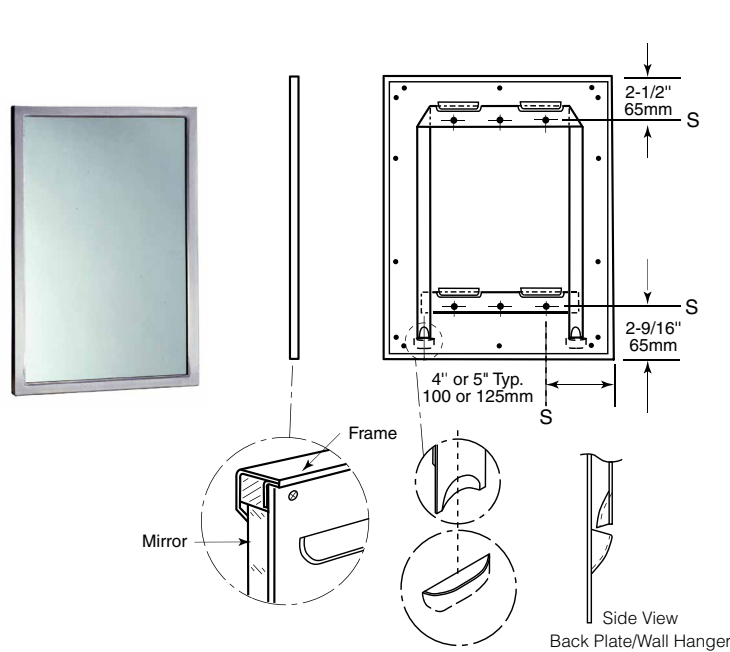


Figure: 1

**LOCK TAB DESIGN  
(Rear View)**

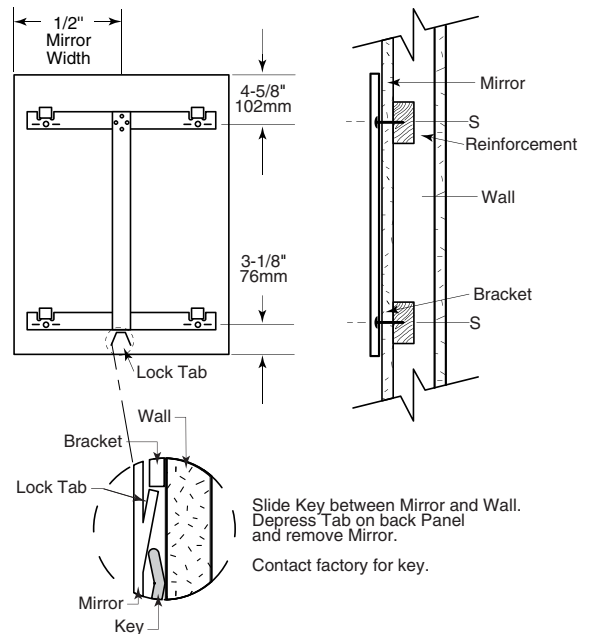


Figure: 2

**STANDARD A-SERIES MIRRORS**

MODEL NO.	OVERALL SIZE	
	W	H
A-18 x 30	18" (46cm)	30" (76cm)
A-18 x 36	18" (46cm)	36" (91cm)
A-24 x 36	24" (61cm)	36" (91cm)

**ALL OTHER SIZE MIRRORS**

**Note:** Mirrors greater than 30" in width will have multiple hanger bracket pockets with a typical 8" off each edge

**CONSTRUCTION:**

**Frame** — Fabricated of heavy-gauge stainless steel, 3/4" x 3/4" (19 x 19mm) for Snap Locking Design; 5/8" x 5/8" (16 x 16mm) for Lock Tab Design angle with # 4 satin finish. One piece, construction. Corners are welded and ground smooth.

**Back Panel** — Fabricated of galvanized steel with tab lock and slots formed to receive wall hanger tabs. Shock absorbing material is placed between mirror and back panel.

**Standard Mirror Glass** — #1 quality, 1/4" (6mm) plate/float glass guaranteed against silver spoilage for 15 years. Meets and exceeds federal specifications DD-M-00411B & C. S. 27.

**SPECIAL REFLECTIVE SURFACES:**

These surfaces resist breakage and provide a measure of safety from broken glass, but differ in color and reflective quality from standard glass mirrors.

continued . . .

## INSTALLATION:

Surface-mounted. Mirror installs on concealed wall hanger and locks in place. See wall instructions to locate mirror wall hangers. Secure to wall with 4 #10 x 1-1/2" (38mm) flat head full threaded screws. Hang mirror on wall hanger to lock mirror in place. To remove mirror from wall, see slide key instructions. Mirror is replaceable in field. If key is required, call the factory.

## ADA GUIDE:

Access to mirrors should be 40" (1016mm) from bottom edge of reflective surface to the finish floor. Full length mirrors will accommodate all facilities.

**Snap Locking Design** — Locking devices automatically secure mirror to concealed wall hanger when it is lowered into final position (see figure 3). Locking devices may be unlocked by inserting two flat blade screwdrivers behind each side of mirror near the bottom or under the bottom of the mirror and pulling mirror bottom forward and then up.

**Lock Tab Design** — Locking devices automatically secure mirror to concealed wall hanger when it is lowered into final position (see figure 4). Locking device may be unlocked by sliding Key between mirror and wall and depressing tab on back panel. If key is required, please contact factory.

### SNAP LOCKING DESIGN

(Front View)

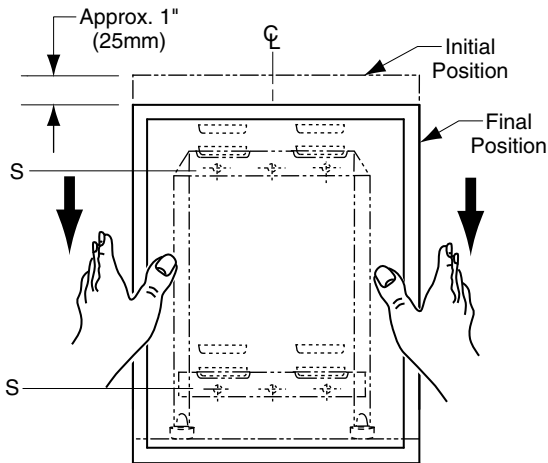


Figure: 3

### LOCK TAB DESIGN

(Front View)

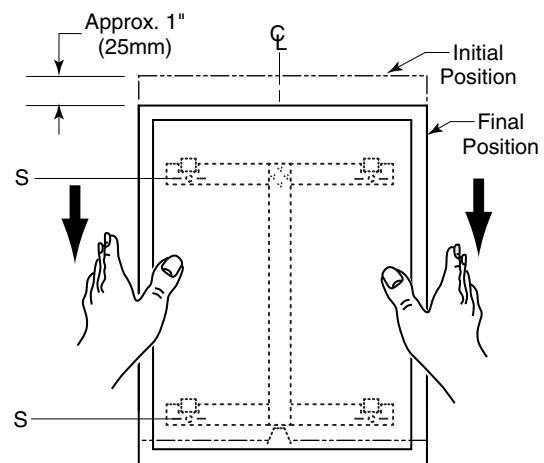


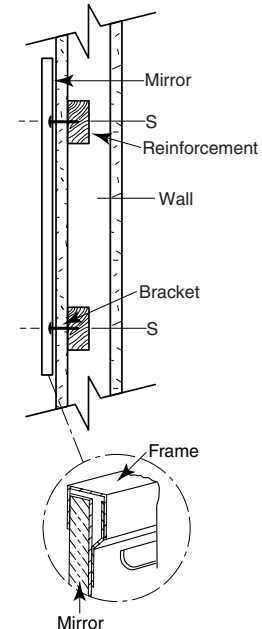
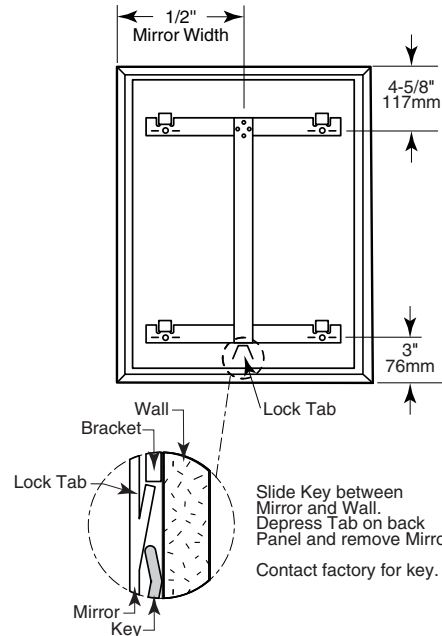
Figure: 4

**Welded-Frame Mirror shall be Model \_\_\_\_\_ A-Series (insert size) of Gamco Commercial Restroom Accessories, One Gamco Place, Durant, OK, 74701-1910**

**OPTIONS:** *Special reflective surfaces, add suffix:*

- T 1/4" tempered glass mirror
  - L 1/4" laminated glass mirror
  - SS 20 gauge 430 bright anneal stainless steel
- Custom sizes available

**Note:** Mirrors greater than 30" in width will have multiple hanger brackets with a typical 8" off each edge



STANDARD C-SERIES MIRRORS

MODEL NO.	OVERALL SIZE	
	W	H
C-18 x 24	18" (46cm)	24" (61cm)
C-18 x 30	18" (46cm)	30" (76cm)
C-18 x 36	18" (46cm)	36" (91cm)

STANDARD C-SERIES MIRRORS

MODEL NO.	OVERALL SIZE	
	W	H
C-24 x 36	24" (61cm)	36" (91cm)

STANDARD C-SERIES MIRRORS

MODEL NO.	OVERALL SIZE	
	W	H

**Note:** Mirrors greater than 30" in width will have multiple hanger bracket pockets with a typical 8" off each edge

**CONSTRUCTION:**

**Frame** — 430 Bright anneal stainless steel, One piece roll formed angle is 1/2" x 1/2" x 1/2" (13 x 13 x 13mm). Mitered corners.

**Back Panel** — fabricated of galvanized steel with tab lock and slots formed to receive wall hanger tabs. Shock absorbing material is placed between mirror and back panel.

**Standard Mirror Glass** — #1 quality, 1/4" (6mm) plate/float glass guaranteed against silver spoilage for 15 years. Meets and exceeds federal specifications DD-M-00411B & C. S. 27.

**SPECIAL REFLECTIVE SURFACES:**

These surfaces resist breakage and provide a measure of safety from broken glass, but differ in color and reflective quality from standard glass mirrors.

**INSTALLATION:**

Surface-mounted. Mirror installs on concealed wall hanger and locks in place. See wall instructions to locate mirror wall hangers. Hang mirror on wall hanger to lock mirror in place. To remove mirror from wall, see slide key instructions. Mirror is replaceable in field. If key is required, call the factory.

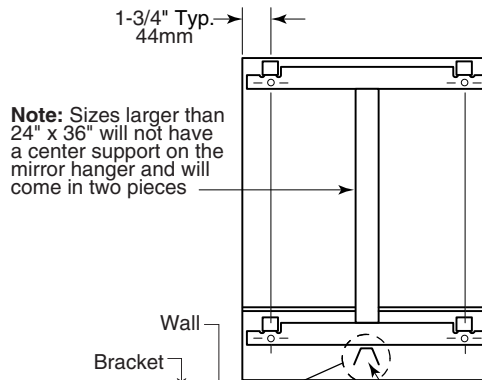
**ADA GUIDE:**

Access to mirrors should be 40" (1016mm) from bottom edge of reflective surface to the finish floor. Full length mirrors will accommodate all facilities.

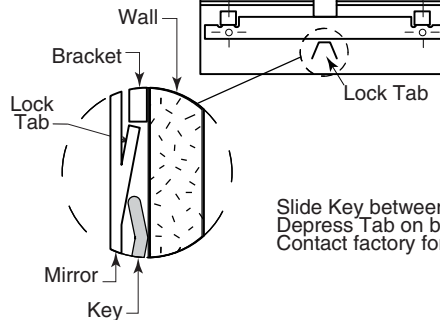
Channel-Frame Mirrors shall be Model \_\_\_\_\_ C-Series (insert size) of Gamco Commercial Restroom Accessories, One Gamco Place, Durant, OK, 74701-1910

**OPTIONS:** *Special reflective surfaces, add suffix:*

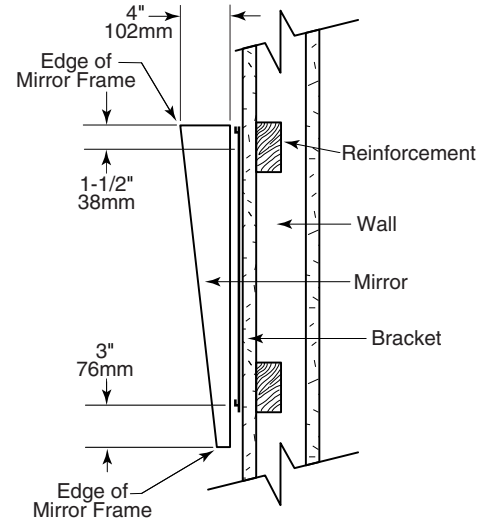
- T** 1/4" tempered glass mirror
  - L** 1/4" laminated glass mirror
  - SS** 20 gauge 430 bright annel stainless steel
- Custom sizes available



**Note:** Sizes larger than 24" x 36" will not have a center support on the mirror hanger and will come in two pieces



Slide Key between Mirror and Wall.  
Depress Tab on back Panel and remove Mirror.  
Contact factory for key.



**STANDARD FT-SERIES MIRRORS**

MODEL NO.	OVERALL SIZE	
	W	H
FT-18 x 30	18" (46cm)	30" (76cm)
FT-18 x 36	18" (46cm)	36" (91cm)
FT-24 x 36	24" (61cm)	36" (91cm)

**CONSTRUCTION:**

**Frame** — fabricated of 18-8 type 304 stainless steel with exposed surfaces having a #4 satin-finish. All welded construction; welded-frame, corners are welded and ground smooth.

**Back Panel** — Shock absorbing material is placed between mirror and back panel.

**Standar Mirror Glass** — #1 quality, 1/4" (6mm) plate/float glass guaranteed against silver spoilage for 25 years. Meets and exceeds federal specifications DD-M-00411B & C. S. 27.

**SPECIAL REFLECTIVE SURFACES:**

These surfaces resist breakage and provide a measure of safety from broken glass, but differ in color and reflective quality from standard glass mirrors.

**INSTALLATION:**

Surface-mounted mirror installs on concealed wall hanger. See wall instructions to locate mirror wall hangers. Secure to wall with 4 #10 x 1-1/2" (38mm) flat head full threaded screws. Hang mirror on wall hanger to lock mirror in place. Mirror is replaceable in field. To remove mirror from wall, see slide key instructions. If key is required, call the factory.

**ADA GUIDE:**

Access to mirrors should be 40" (1016mm) from bottom edge of reflective surface to the finish floor. Full length mirrors will accommodate all facilities.

**Fixed-Position Tilt Mirror shall be Model \_\_\_\_\_ FT-Series (insert size) of Gamco Commercial Restroom Accessories, One Gamco Place, Durant, OK, 74701-1910**

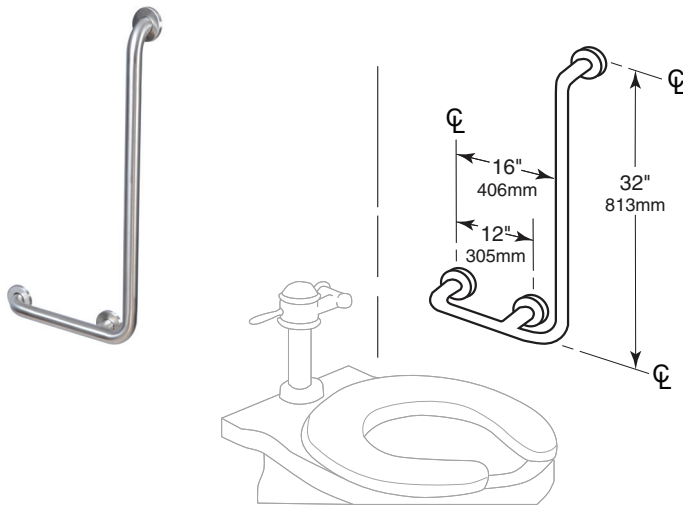


# 90° ANGLE GRAB BAR

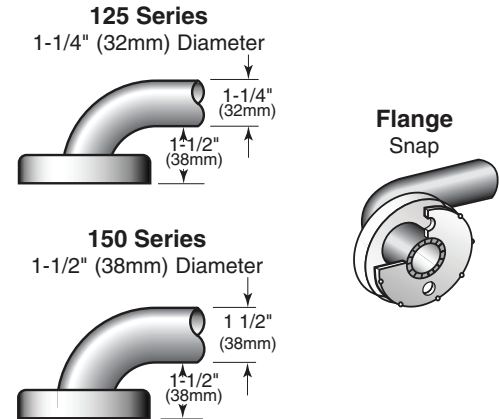
**-5L = LEFT  
-5R = RIGHT  
CONFIGURATION**

**OPTIONS:**

- T for non-slip safety-textured grip
- Custom sizes available



Right Configuration Shown



**CONSTRUCTION:**

**Tubing** - Fabricated of type 304 stainless steel. Exposed surfaces polished to a #4 satin-finish.

**Snap Flange** - Mounting plate is 11-gauge (3mm) type 304 stainless steel, 3" (76mm) in diameter and welded to bar. Snap flange cover plate escutcheon, which is decorative only, is 22-gauge (0.8mm) type 304 stainless steel. Mounting plates and center posts are welded to tubing.

**MOUNTING:**

Clearance is distance between finished wall surface and inner edge of tubing. Standard clearance furnished is 1-1/2" (38mm). Required mounting height is 33" to 36" (838 to 914mm) from center-line of grab bar to finish floor. Screws (not furnished).

**SPECIFICATIONS:**

Grab bars have been designed and tested to withstand 1300 lbs. downward pull when properly installed. This exceeds HUD, HEW, FHA, VA, and other Federal, State, and local codes, including the Americans with Disabilities Act (ADA). Dimensions are measured from center-line to center-line of tubing, unless noted on grab bar application by circle dimensions which are from center-line of tubing to wall.

**NOTES:**

Custom made grab bars are available upon request. Custom made indoor or outdoor railing systems up to 4" (102mm) diameter are also available.

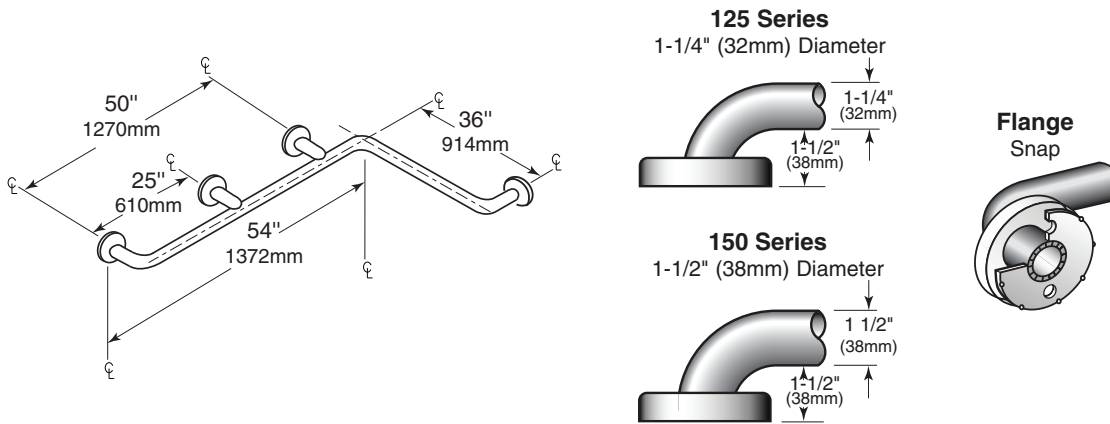
90° Angle Grab Bar shall be Model \_\_\_\_\_ (insert model number and series) of Gamco Commercial Restroom Accessories, One Gamco Place, Durant, OK, 74701-1910

# TWO WAY WHEELCHAIR GRAB BAR

**-50  
CONFIGURATION**

**OPTIONS:**

- T for non-slip safety-textured grip
- Custom sizes available



**Center post needed on bars over 48" (1219mm).**

**CONSTRUCTION:**

**Tubing** - Fabricated of type 304 stainless steel. Exposed surfaces polished to a #4 satin-finish.

**Snap Flange** - Mounting plate is 11-gauge (3mm) type 304 stainless steel, 3" (76mm) in diameter and welded to bar. Snap flange cover plate escutcheon, which is decorative only, is 22-gauge (0.8mm) type 304 stainless steel. Mounting plates and center posts are welded to tubing.

**MOUNTING:**

Clearance is distance between finished wall surface and inner edge of tubing. Standard clearance furnished is 1-1/2" (38mm). Required mounting height is 33" to 36" (838 to 914mm) from center-line of grab bar to finish floor. Screws (not furnished).

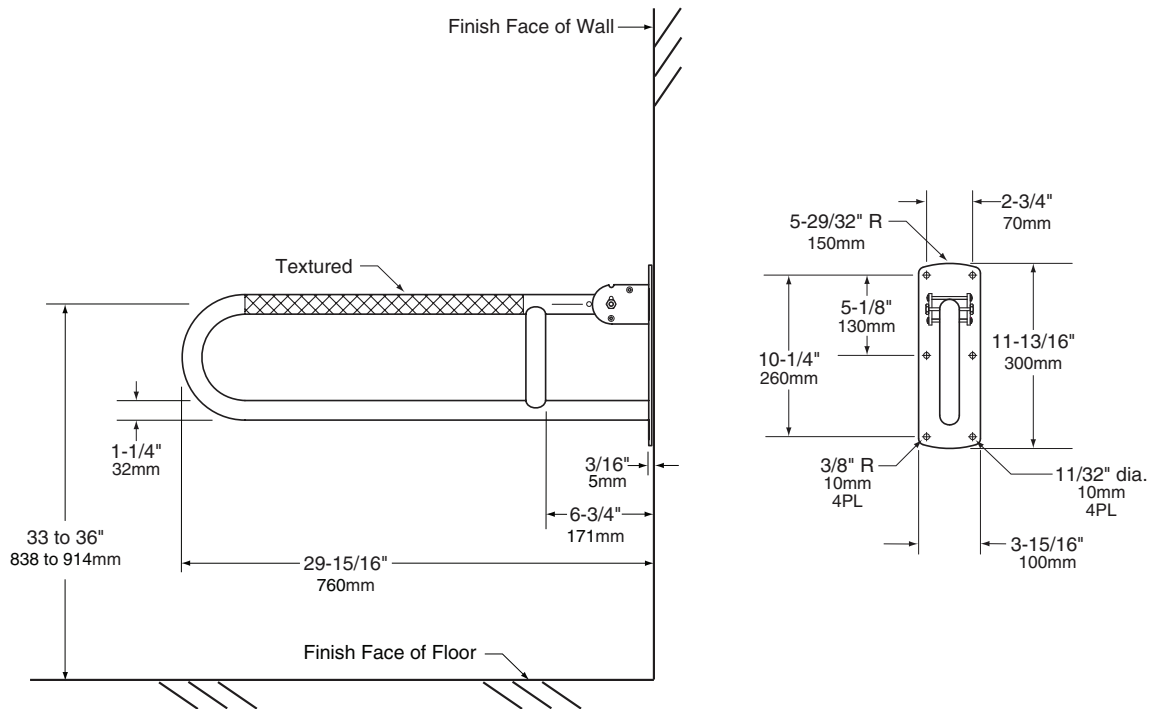
**SPECIFICATIONS:**

Grab bars have been designed and tested to withstand 1300 lbs. downward pull when properly installed. This exceeds HUD, HEW, FHA, VA, and other Federal, State, and local codes, including the Americans with Disabilities Act (ADA). Dimensions are measured from center-line to center-line of tubing.

**NOTES:**

Custom made grab bars are available upon request. Custom made indoor or outdoor railing systems in 1-1/4" and 1-1/2" diameters are also available.

**Two Way Wheelchair Grab Bar shall be Model -50 (insert series \_\_\_\_\_) of Gamco Commercial Restroom Accessories, One Gamco Place, Durant, OK, 74701-1910**



**CONSTRUCTION:**

**Tube** - Fabricated of type 304 stainless steel and assembled into a swivel hinge. Exposed surfaces polished to a #4 satin-finish and knurled grip. Detent holds bar in vertical position.

**Back Plate** - 3/16" (4.5mm) thick, one piece stainless steel design.

**MOUNTING:**

Unit absolutely must be secured to in-wall reinforcement backing. Unit is attached with (4) bolts with a minimum 1/4" (6mm) diameter. Mounting bolts not furnished. Screws (not furnished).

**SPECIFICATIONS:**

Grab bars have been designed and tested to withstand 500 lbs. downward pull when properly installed. This exceeds HUD, HEW, FHA, VA, and other Federal, State, and local codes, including the Americans with Disabilities Act (ADA).

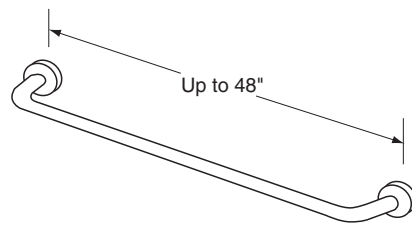
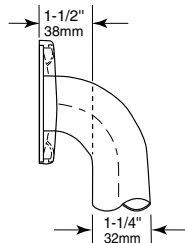
**Swing Up Grab Bar shall be Model 125 of GAMCO Commercial Restroom Accessories, One Gamco Place, Durant, OK, 74701-1910**

**OPTIONS:**

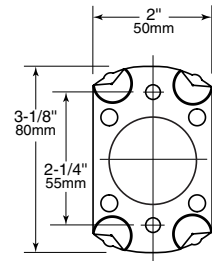
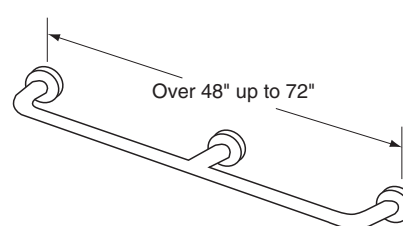
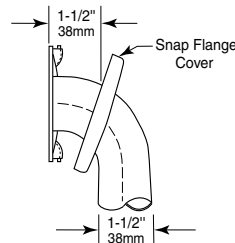
- C for concealed flange
  - S for snap flange
  - E for exposed flange
  - T for non-slip safety-textured grip
- Custom sizes available



**125 Series**  
1-1/4" (32mm) Diameter  
Available Flanges:  
E = exposed, S = snap



**150 Series**  
1-1/2" (38mm) Diameter  
Available Flanges:  
C = concealed, E = exposed, S = snap



Snap Flange

**NOTE:** Grab Bars over 48" in length require a centerpost.

**MATERIALS:**

**Tubing** - Fabricated of type 304 stainless steel. Exposed surfaces polished to a #4 satin-finish.

**Concealed Flange** - 1/2" (13mm) deep, type 304 stainless steel, 3" (76mm) in diameter furnished with 3 stainless steel set screws and one back plate. Flanges and center posts are welded to tubing.

**Snap Flange** - Mounting plate is type 304 stainless steel, 3" (76mm) in diameter and welded to bar. Snap flange cover plate escutcheon, which is decorative only, is type 304 stainless Steel. Mounting plates and center posts are welded to tubing.

**Exposed Flange** - Type 304 stainless steel, 3" (76mm) in diameter with 3 countersunk mounting holes. Flanges and center posts are welded to tubing.

**MOUNTING:**

Clearance is distance between finished wall surface and inner edge of tubing. Standard clearance furnished is 1-1/2" (38mm). Required mounting height is 33" to 36" (838 to 914mm) from top of grab bar gripping surface to finish floor. 36" (914mm) horizontal grab bar should be installed on back wall and 42" (1067mm) horizontal grab bar installed on side wall or partition stall. Screws (not furnished).

**Safety Warning:** Grab bars are no stronger than the anchors and walls to which they are attached and, therefore, must be firmly secured in order to support the loads for which they are intended.

To avoid potential injury, the building owner or maintenance personnel should remove the grab bar from service if the grab bar is not adequately secured to wall or if there is any observed damage to the weld.

**SPECIFICATIONS:**

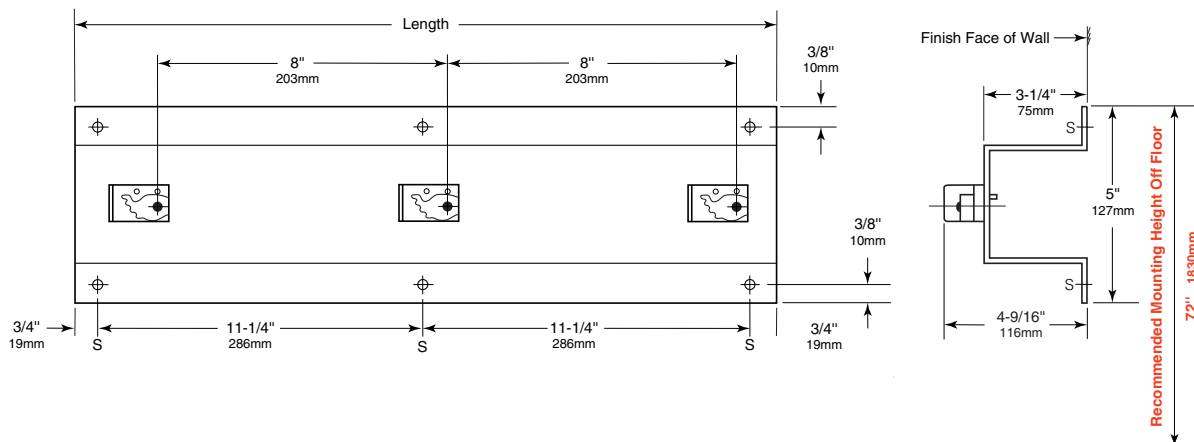
Grab bars have been designed and tested to withstand a downward pull when properly installed that exceeds HUD, HEW, FHA, VA, and other Federal, State, and local codes, including the Americans with Disabilities Act (ADA). Dimensions are measured from center-line to center-line of tubing, unless noted on grab bar application by circle dimensions which are from center-line of tubing to wall.

**NOTES:**

Custom made grab bars are available upon request. Custom made indoor or outdoor railing systems up to 1-1/4" to 1-1/2" (32 to 38mm) diameter are also available.

**Straight Grab Bar shall be Model \_\_\_\_\_ (insert model number) of GAMCO Commercial Restroom Accessories, One Gamco Place, Durant, OK, 74701-1910**

**MS-1** for mop strip, 24" (610mm), 3 holders  
**MS-2** for mop strip, 36" (914mm), 4 holders



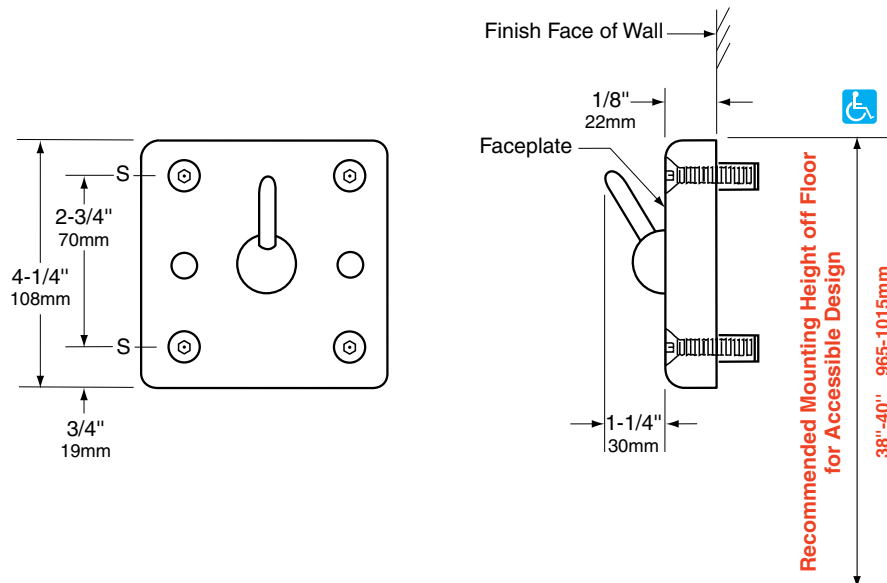
### SPECIFICATIONS:

Units fabricated of 18-gauge (1.2mm) type 304 stainless steel with exposed surfaces having a satin-finish. Mop holder molded with serrated rubber cam holders and spring loaded to insure maximum gripping ability. Holders accommodate mops and brooms from 3/4" to 1-1/4" (19 to 32mm) in diameter. Large 3-1/4" (83mm) projection keeps mops away from wall.

### OVERALL DIMENSIONS:

24" W x 5" H x 3-1/4" D (607 x 127 x 83mm)

Mop Strip shall be Model \_\_\_\_\_ (insert model number) of Gamco Commercial Restroom Accessories, One Gamco Place, Durant, OK, 74701-1910



**MATERIALS:**

18-8, type-304 stainless steel with satin finish. Faceplate is 14-gauge (2mm). Hook snaps down for safety if excessively loaded.

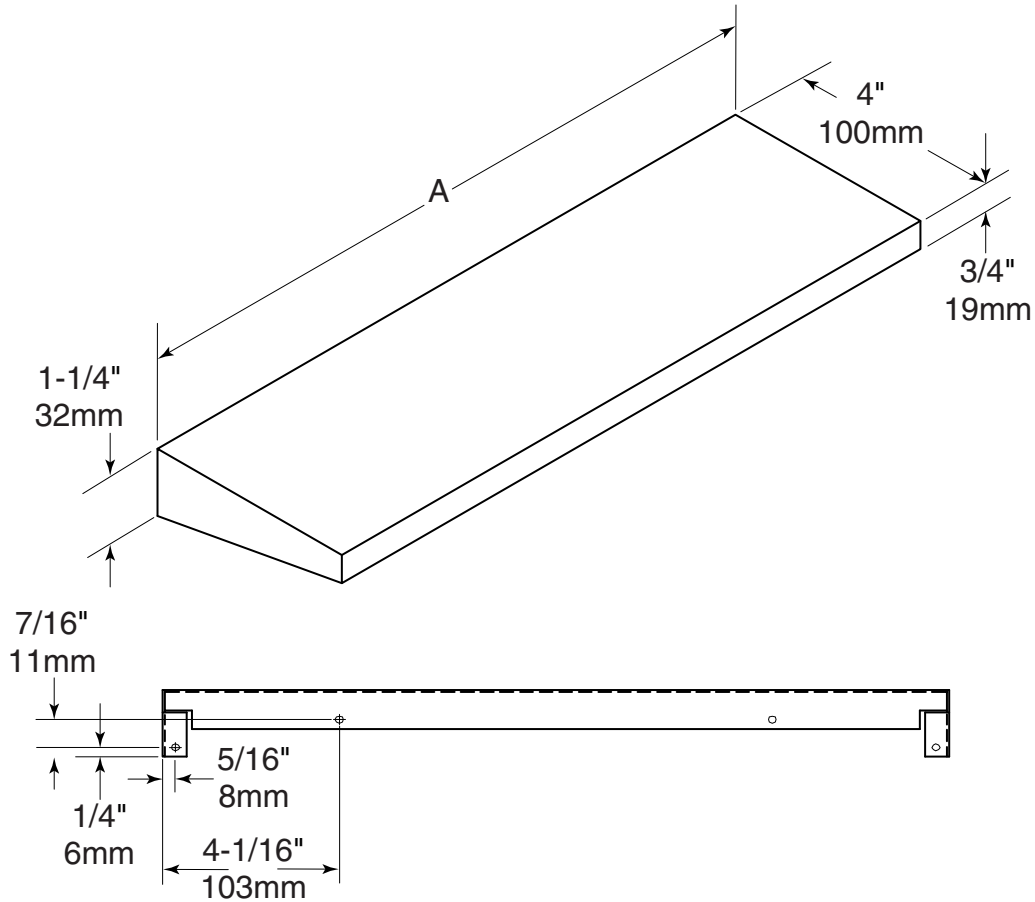
**INSTALLATION:**

Secure unit to wall at all points indicated by an S. Unit has countersunk screw holes and is furnished with four 1/4-20 x 1 1/2" (6 x 40mm), tamper-resistant, flat-head, hex-socket, stainless steel machine screws and a security hex key for installation. Expansion shields are not furnished by manufacturer.

**SPECIFICATION:**

Clothes hook shall be type-304 stainless steel with satin finish. Faceplate shall be 14-gauge (2mm). Hook shall snap down for safety if excessively loaded. Unit shall be furnished with tamper-resistant mounting screws.

**Surface-Mounted Napkin/Tampon Vendor shall be model Model MSA-25 of Gamco Commercial Restroom Accessories, One Gamco Place, Durant, OK, 74701-1910**



**STANDARD SIZES**

Model No.	Length - A	Width	Height
MS-18	18" 457mm	4" 100mm	1-1/4" 32mm
MS-24	24" 610mm	4" 100mm	1-1/4" 32mm

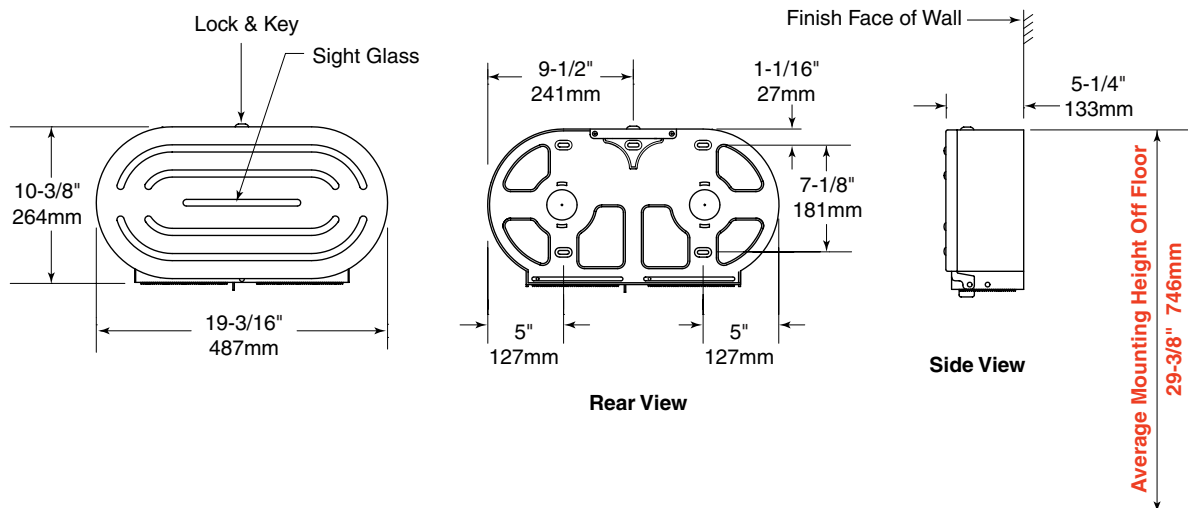
**MATERIALS:**

**Shelf** - 18-8, type 304, 18-gauge (1.2mm) stainless steel with satin finish, 3/4" (19mm) return edge on front. Front corners of shelf ground and polished smooth. Once mounted properly, mirror shelf meets accessible design, protrudes 4" (100mm) from the wall.

**Designer Note:**

1. Special-order sizes, up to 60" (1525mm) are available on request.
2. Shelves over 36" (914mm) long will be supplied with a center support.

Surface-Mounted Stainless Steel Mirror Shelf shall be \_\_\_\_\_ (insert model number) of Gamco Commercial Restroom Accessories, One Gamco Place, Durant, OK, 74701-1910



**CONSTRUCTION:**

Door and wrapper are 20-gauge (0.89mm) type 304 stainless steel with a #4 satin-finish. Internal spindles and shell are HEAVY GAUGE gray plastic. Sliding panel exposes one roll at a time and allows for easy roll changeover. Door equipped with sight-glass for viewing expense of each roll of tissue.

**CAPACITY:**

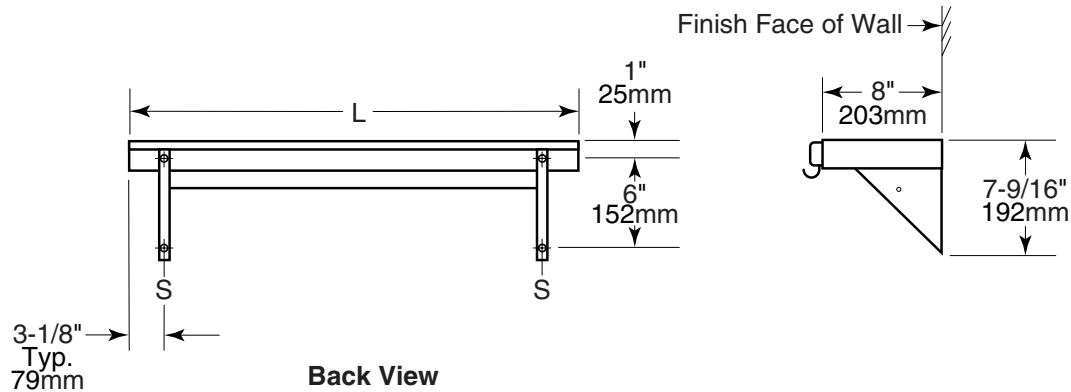
Two 9" (289mm) roll-type toilet tissue. Spindles accommodate 3-1/4" (83mm), 3" (76mm), and 2-1/4" (57mm) core rolls. Core adapters are included.

**INSTALLATION:**

Verify all rough-in dimensions prior to installation. Secure to wall or toilet partition with screws through mounting holes.

**Jumbo-Roll Toilet Tissue Dispenser shall be Model TTD-11 of Gamco Commercial Restroom Accessories, One Gamco Place, Durant, OK, 74701-1910**





**STANDARD STOCK SIZES**

Model No.	Length	No. of Holders	No. of Rag Hooks	Width	Height
US-1	30" 762mm	3	2	8" 203mm	7-1/2" 191mm
US-2	36" 914mm	4	3	8" 203mm	7-1/2" 191mm

**MATERIALS:**

**Shelf** — 18-8, type 304, 18-gauge (1.2mm) stainless steel with satin-finish. Shelf has 1-1/2" (38mm) return edge for maximum rigidity.

**Mounting Brackets** — 18-8, type 304, 16-gauge (1.6mm) stainless steel with satin-finish; welded to shelf.

**Mop/Broom Holders** — Spring-loaded rubber cams with anti-slip coating.

**Rag Hooks** — 18-8, type 304, 16-gauge (1.6mm) stainless steel with satin-finish; secured to shelf with rivets.

**Towel Rod** — 18-8, type 304, 1/4" (6mm) diameter stainless steel with satin-finish.

**OPERATION:**

Surface-mounted utility shelf with holders is designed to keep mops and brooms away from wall. Spring-loaded rubber cam holders accommodate mop or broom handles from 7/8" to 1-1/4" (22 to 32mm) diameter. Hooks for conveniently storing rags are located on front of shelf. Rod for hanging wet rags is located below shelf between mounting brackets.

**INSTALLATION:**

Secure unit to wall with four sheet-metal screws, furnished by manufacturer, at points indicated by an S. For plaster or dry wall construction, provide concealed backing to comply with local building codes, then secure unit with sheet-metal screws furnished. For other wall surfaces, provide fiber plugs or expansion shields for use with sheet-metal screws furnished, or provide 1/8" (3mm) toggle bolts or expansion bolts.

**SPECIFICATIONS:**

Surface-mounted utility shelf with mop/broom holders and rag hooks shall be type 304 stainless steel with satin-finish. Shelf shall be 18-gauge (1.2mm) with 1-1/2" (38mm) return edge. Mounting brackets, welded to shelf, shall be 16-gauge (1.6mm).

**Utility Shelf With Mop/Broom Holders And Rag Hooks shall be Model \_\_\_\_\_ (insert model number) of Gamco Commercial Restroom Accessories, One Gamco Place, Durant, OK, 74701-1910**